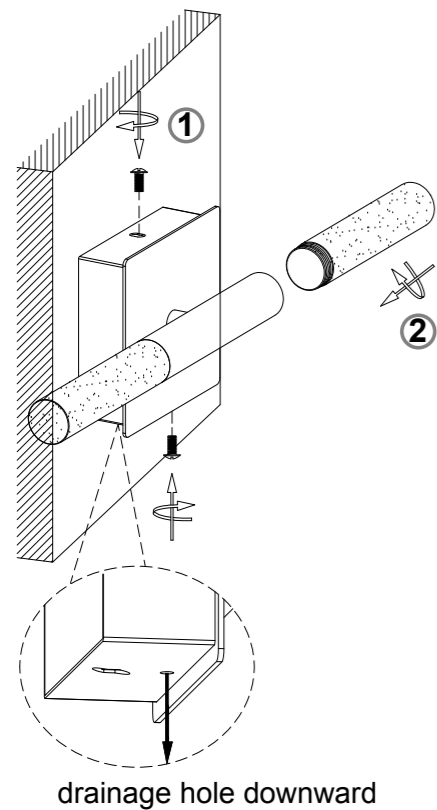
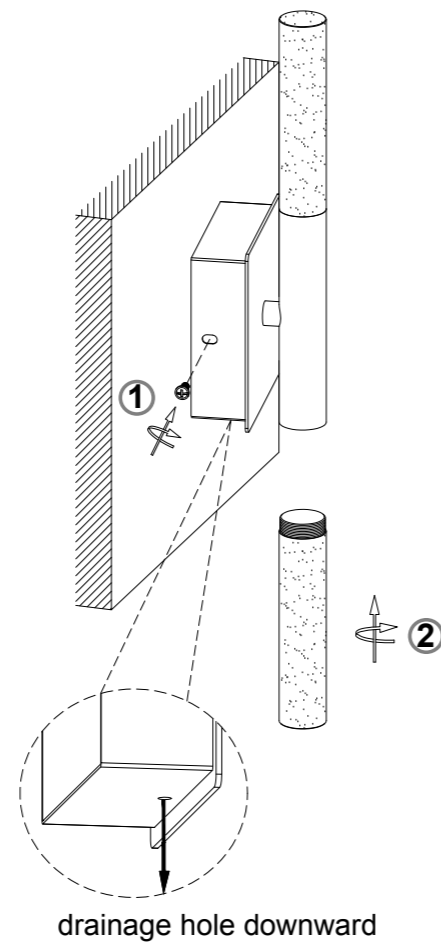


Step 3

Horizontal installation



Vertical installation



Maintenance

This fitting is designed for indoor use only and must be fitted to a DRY SURFACE as any dampness in plaster or paint can damage the finish. **Do not use polish or abrasive cleaner - just a soft dry cloth.**

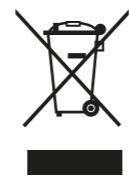
BULB REPLACEMENT

LED Light Source: Non-replaceable (5.5W LED)

Recycling electrical products

You should now recycle your waste electrical goods and in doing so help the environment. This symbol means an electrical product should not be disposed of with normal household waste. Please ensure it is taken to a suitable facility for disposal.

Visit www.recycle-more.co.uk, click on "bank locator" and enter your postcode to find your nearest recycling site.



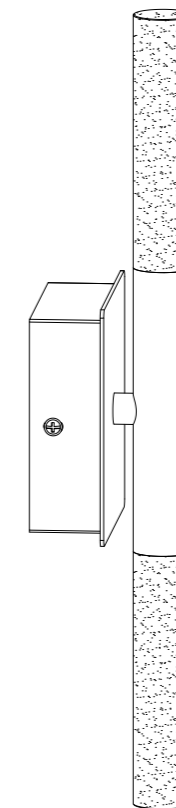
If you require any further assistance, you can contact us on 0345 640 2020 or visit habitat.co.uk

Made in China for Habitat, Argos Limited, London, EC1N 2HT, UK. [Argos \(N.I.\) Ltd](http://Argos(N.I.)Ltd), Forestside Shopping Centre, Upper Galwally, Belfast, BT8 6FX, UK.



Habitat Black Integrated LED Wall Light

SKU 1233876



Care & Instruction Manual

For household and indoor use only

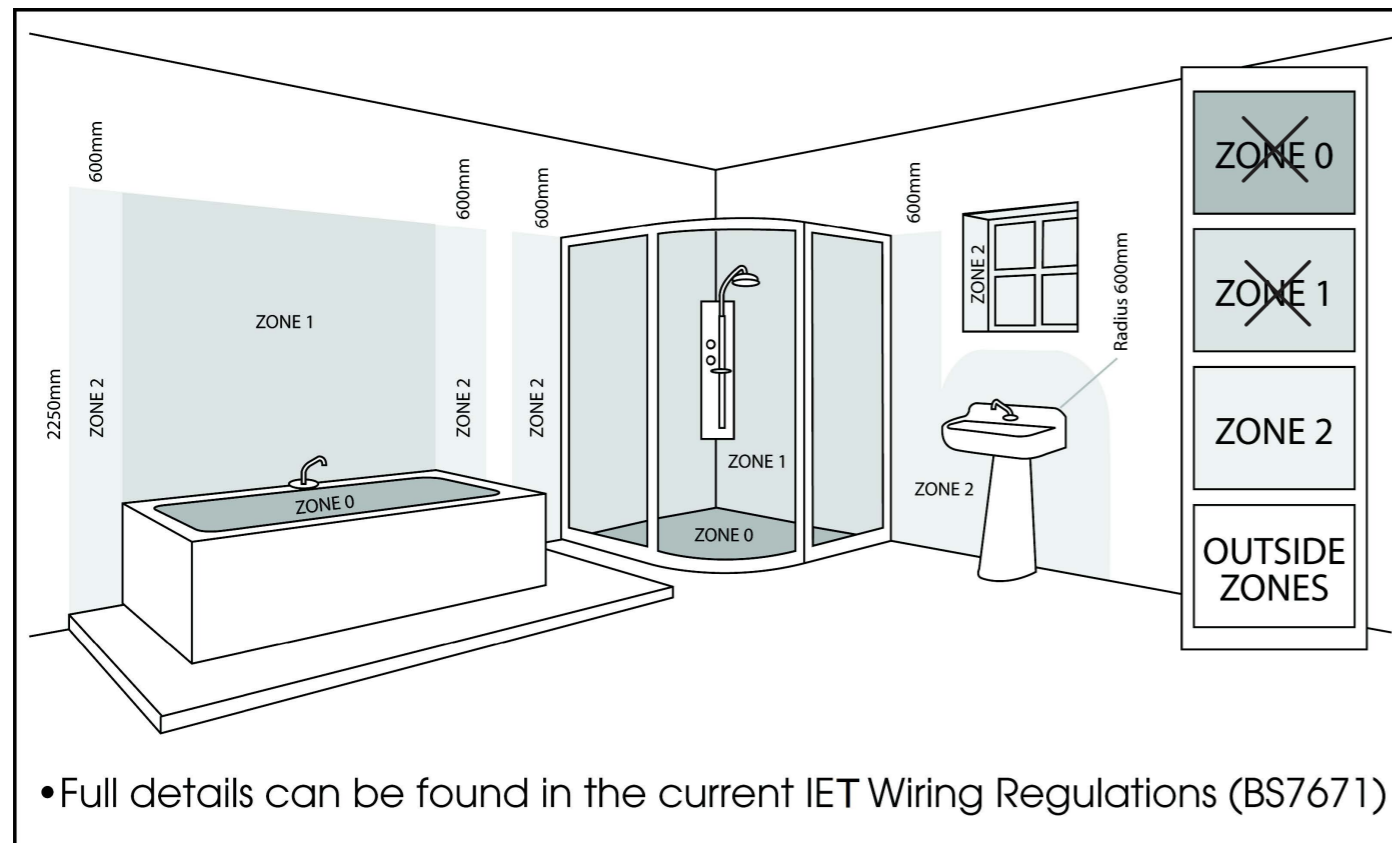
Please read and retain these instructions for future reference

Important

- For your safety, this product must be installed in accordance with wiring regulations from the Institute of Engineering and Technology (IET) and current local Building Regulations.
- If in any doubt, or where required by the law, consult a competent person who is registered with an electrical self-certification scheme. Further information is available online or from your Local Authority.
- To prevent electrocution, switch off at the mains supply before installing or maintaining this fitting. Ensure other persons cannot restore the electricity supply without your knowledge.
- To avoid damage to concealed wiring during installation, establish the direction of the supply cable before drilling fixing holes.
- This fitting is Class II appliance. It should be fitted to a lighting supply protected by a 5 amp fuse or equivalent breaker. The input supply cord must be double-insulated.
- The luminaire is designed for indoor use only.
- The light source/control gear contained in this luminaire is not replaceable, when the light source/control gear reaches its end of life the whole luminaire shall be replaced.
- This product contains 2 light source of energy efficiency class F.

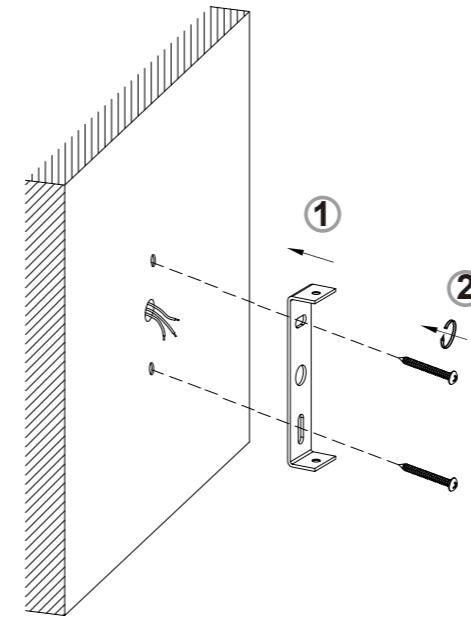
IP44 Safety:

- IP rating of the product IP RATING: IP44
- Explanation of IP ratings
The IP or Ingress Protection rating is a measure of protection against solids and liquid. The first number is the protection against solids, the second the protection against liquids. In both cases the higher the number, the higher the degree of protection.
When we refer to IP44 we are referring to a fitting where the protection against liquid ingress is 4 and the protection against solids is also 4.
- Explanation of bathroom zones
Bathrooms are considered to be a special location for electrical installations because they have an increased risk of electric shock for the users, due to being so close to water.
- The wiring regulations in the UK state that all fixed electrical installations in dwellings must legally comply with BS 7671 (IET Wiring Regulations). This standard provides guidance on, installation by dividing a bathroom into different zones - 0, 1, 2 and Outside Zones:

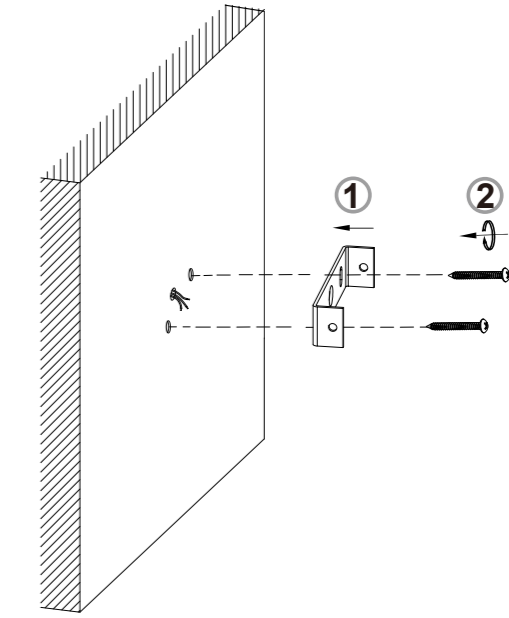


Step 2

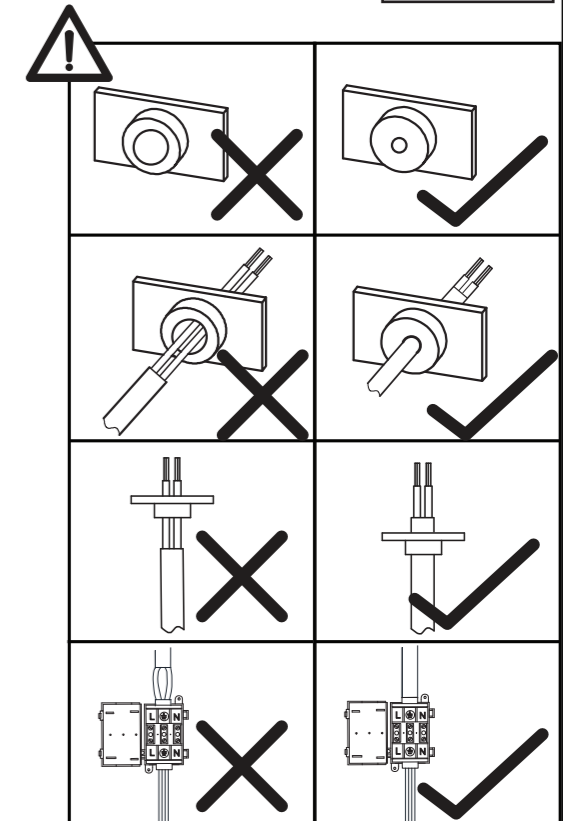
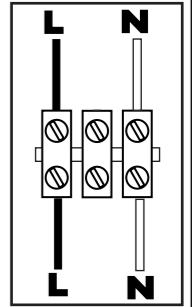
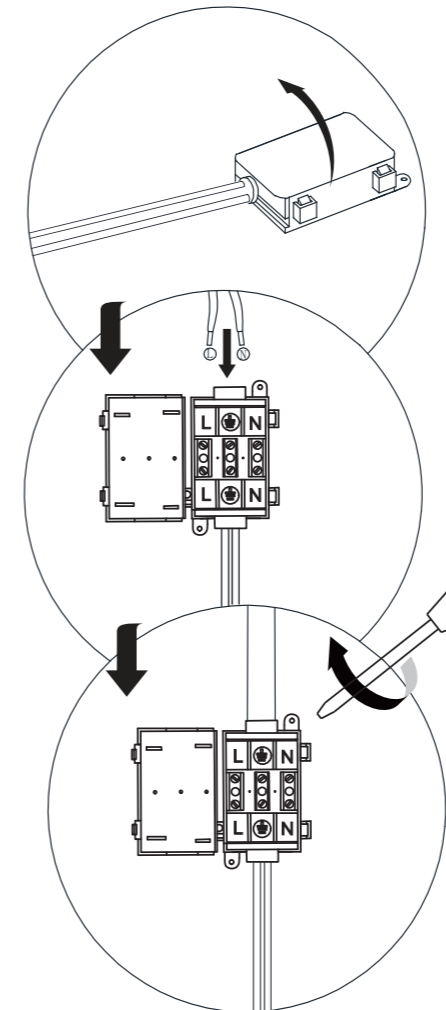
Horizontal installation



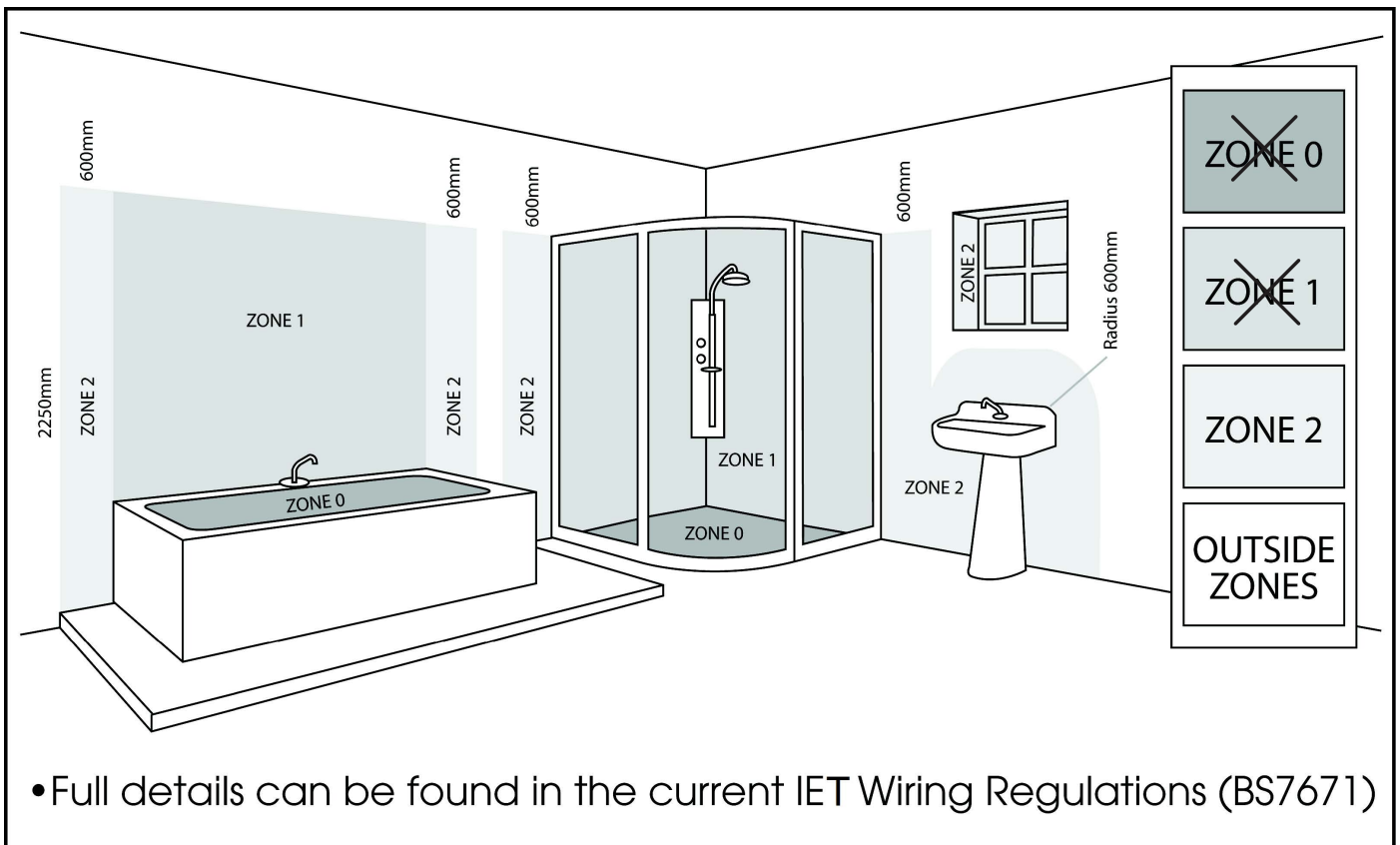
Vertical installation



3



- Zone 0
In the bath or shower itself.
- Zone 1
The area around the bath or shower up to a height of 2250mm from the floor with a radius of 600mm from the water outlet.
- Zone 2
An area stretching 600mm outside the perimeter of the bath or shower and to a height of 2250mm from the floor. The area round a washbasin within a radius of 600mm from the tap should also be treated as Zone 2.
- Outside Zones
Anything outside Zones 0, 1 or 2 and where no water jet is likely to be used for cleaning purposes.
IMPORTANT - This light has an IP44 rating and may be installed in zone 2 and outside zones of a bathroom and the supply circuit protected by an RCD”
- Disclaimer
Please note this information is not an installation guide. Reference should be made to the IET Wiring Regulations (BS 7671) and you should always seek advice from a qualified electrician before you install lighting within your bathroom.



Instructions for use

Before removing the existing fitting, carefully note the position of each set of cables. If there are loop in cables that are not connected to the light, they must be terminated in a separate terminal block not connected to the fitting.

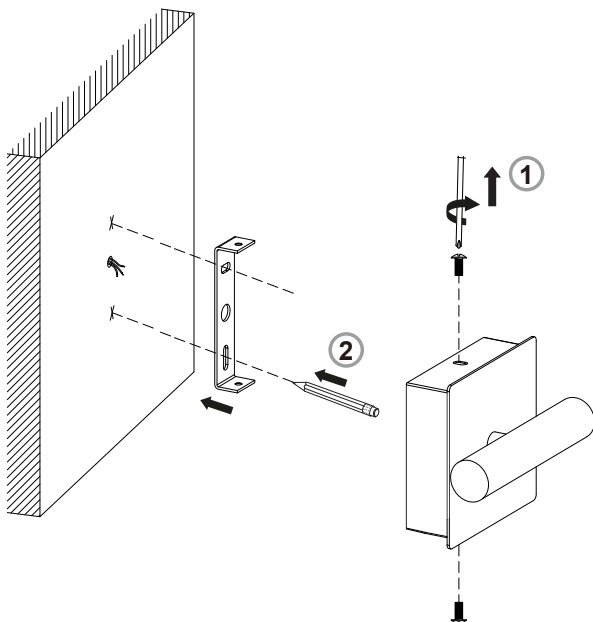
1. Switch off the electricity supply at the fuse board.
2. Remove the mounting bracket from the fitting by removing the 2 screws.
Using the bracket as a template, mark and drill fixing holes in the wall. Ensure the holes are drilled into a joist or other suitable mounting surface and not just into plaster.
3. Attach mounting bracket to the wall using suitable fixings.
4. The weight of the fitting must be supported whilst making the electrical connections as follows:
 - a. Connect supply live (normally brown or red) to fitting live (marked "L") on the terminal block.
 - b. Connect supply neutral (normally blue or black) to fitting neutral (marked "N") on the terminal block.

NOTE: Ensure electrical connections are tight and no loose strands of wire are left out of the terminal block.
5. Offer fitting up onto the bracket and push any excess cable into wall void. Secure the wall cup into position using the 2 screws removed earlier. Take care not to trap or damage wiring.
6. Attach the acrylic rods to the lampholder and secure in place.
7. Switch on the electricity supply at the fuse board.

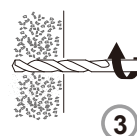
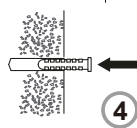
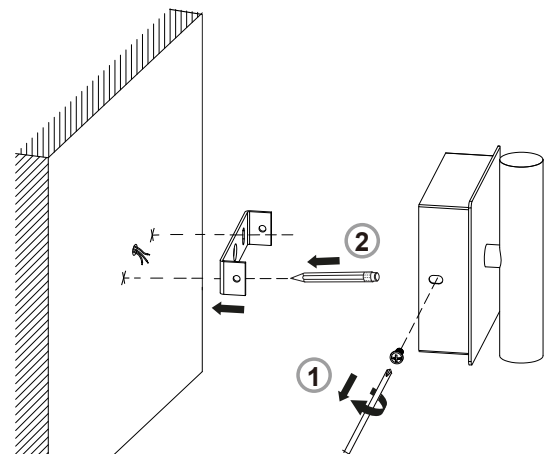
Step 1

There are two installation direction for this wall light as below. Choose the way you like and proceed.
CAUTIONS! Please ensure drainage hole is downward.

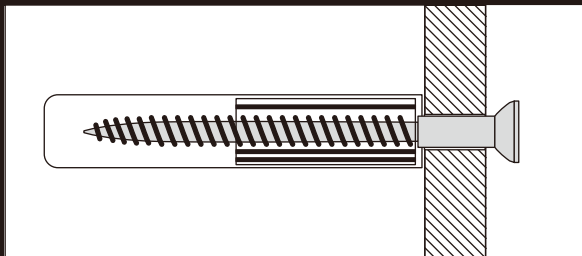
Horizontal installation



Vertical installation




Wall Mounting & Fixings



IMPORTANT:

When drilling into walls always check that there are no hidden wires or pipes etc. Make sure that the screws and wall plugs being used are suitable for supporting your unit. Consult a qualified tradesperson if you are unsure.

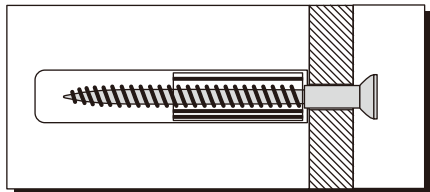
HINTS:

- 1) General Rule  Always use a larger screw and wall plug if you are not sure.
- 2) Ensure you use the recommended drill bit to match the wall plug and hole size.
- 3) Ensure you drill the hole horizontally, do not force the drill or enlarge the hole.
- 4) Take extra care when drilling high walls, ceilings and ceramic tiles. Ensure the plug is fitting below the ceramic tile to avoid splitting or cracking.
- 5) Ensure wall plugs are well fitted and are a tight fit in the drilled hole.

Types Of Walls

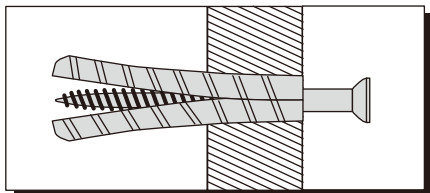
You can use one of the following types of wall plug if your walls are made of brick, breeze block, concrete, stone, wood or plaster board.

No.1 "Standard" Wall Plug General Wall Materials



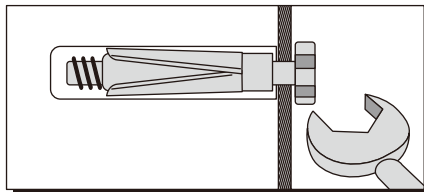
These come in various sizes and are made from plastic or sometimes wood fiber.

No.2 "General Purpose" Wall Plug Aerated / Breeze Block



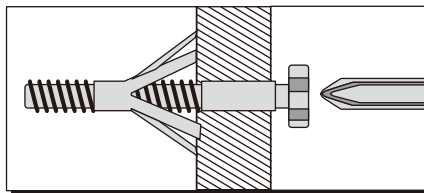
Generally aerated blocks should not be used to support heavy loads, use a specialist fitting in this case. For light loads, a General Purpose Plug can be used.

No.3 "Shield Anchor" Wall Plug Heavy Loads



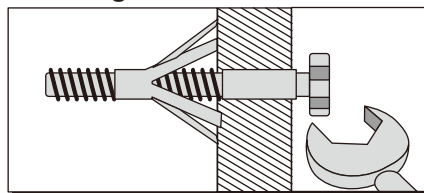
For use with heavier loads such as TV & HiFi Speakers and Satellite Dishes etc.

No.4 "Cavity Fixing" Wall Plug



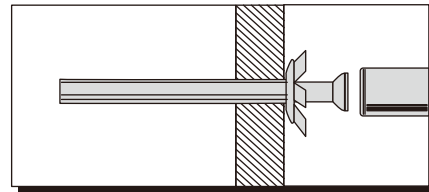
For use with plaster board partitions or hollow wooden doors.

No.5 "Cavity Fixing - Heavy Duty" Wall Plug



For use when fitting or supporting heavy loads such as shelving, wall cabinets, coat racks.

No.6 "Hammer Fixing" Wall Plug



For use with walls stuck with plaster board. The hammer fixing allows it to be fixed to the wall rather than the plaster board. Always check the fixing is secure to the retaining wall.

CARE & MAINTENANCE

SAFETY

Always check the fitting and location to ensure your safety in and around the home.

FITTING

From time to time check the fitting to ensure the wall plugs or screws do not become loose.